

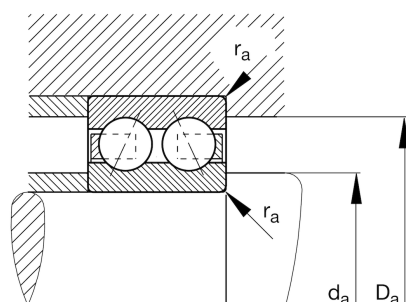
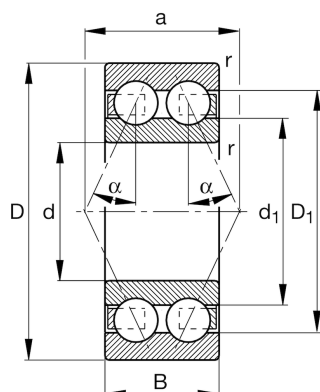
FAG

3218-BB-TVH

Angular contact ball bearing

Schaeffler ID:
\${ctx.productData.sapMaterialNumber}Angular contact ball bearing 32..-B-TVH,
double row, plastic cage

Technical information

**Main Dimensions & Performance Data**

d	90 mm	Bore diameter
D	160 mm	Outside diameter
B	52,4 mm	Width
C _r	142.000 N	Basic dynamic load rating, radial
C _{0r}	142.000 N	Basic static load rating, radial
C _{ur}	6.500 N	Fatigue load limit, radial
n _G	4.100 1/min	Limiting speed
n _{gr}	4.500 1/min	Reference speed
	3,8 kg	Weight

Dimensions

r _{min}	2 mm	Minimum chamfer dimension
D ₁	141,6 mm	Shoulder diameter outer ring
D ₂	145,2 mm	Caliber diameter outer ring
d ₁	116,4 mm	Shoulder diameter inner ring
d ₂	112,1 mm	Caliber diameter inner ring
a	81,4 mm	Distance between the apexes of the pressure cones
α	25 °	Contact angle

Mounting dimensions

d _{a min}	104 mm	Minimum diameter shaft shoulder
D _{a max}	146 mm	Maximum diameter of housing shoulder
r _{a max}	2 mm	Maximum fillet radius

Temperature range

T _{min}	-20 °C	Operating temperature min.
T _{max}	120 °C	Operating temperature max.